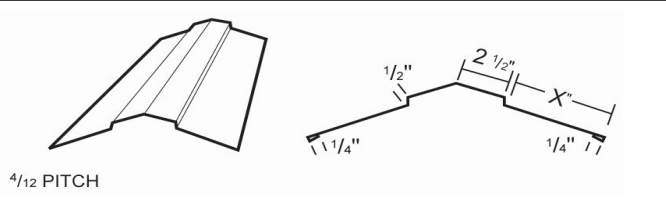
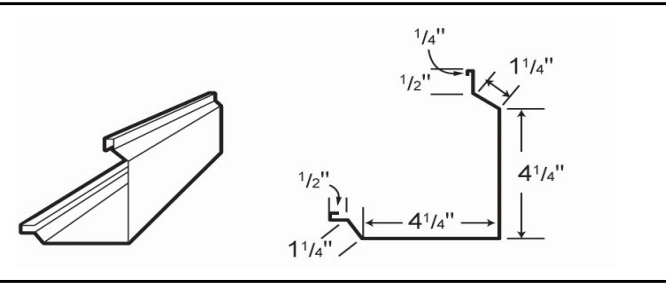
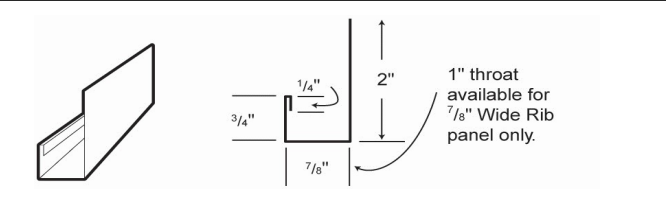
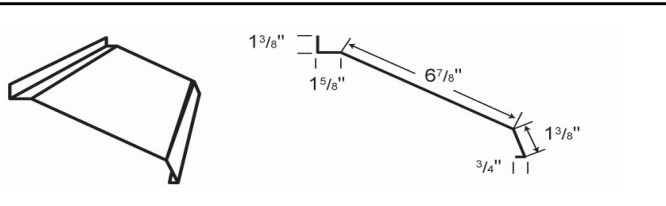
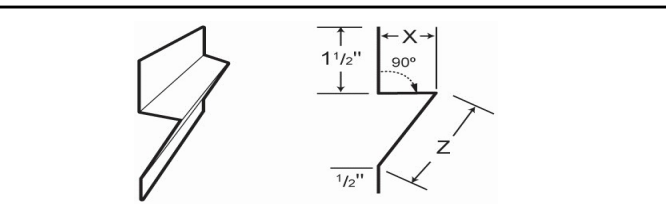
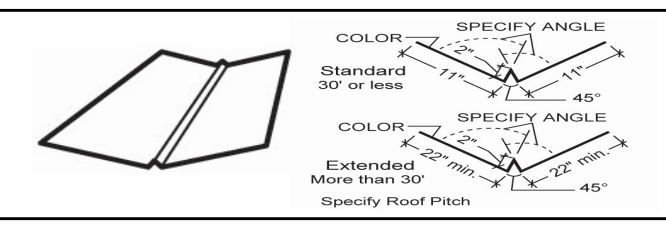
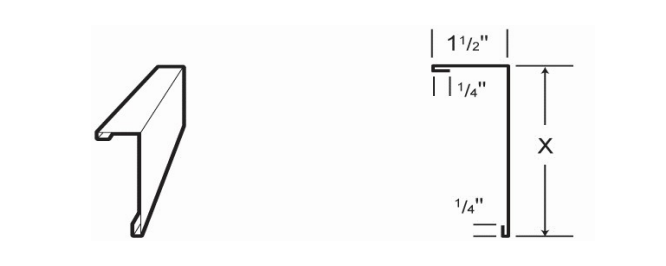

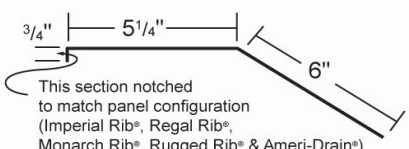
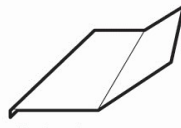
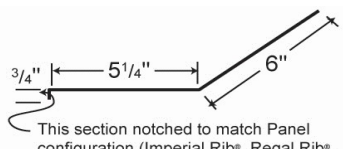
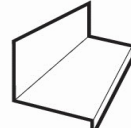
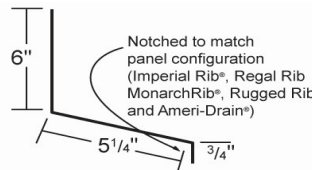
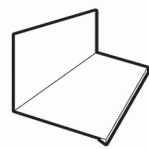
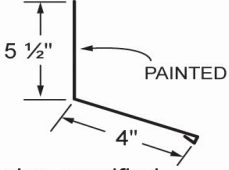

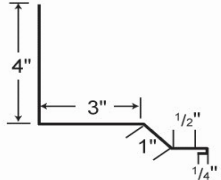
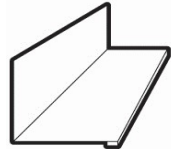
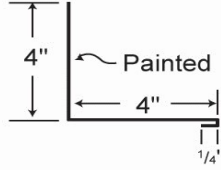
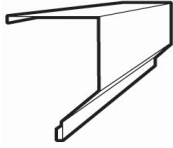
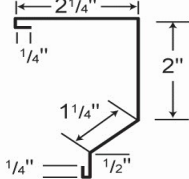
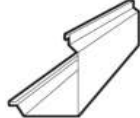
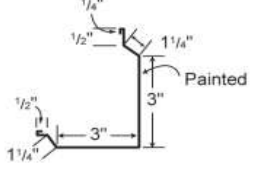


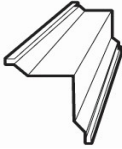
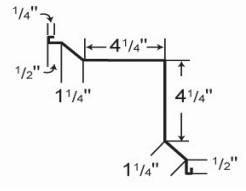
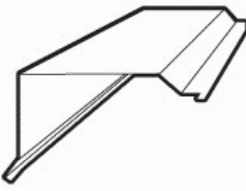
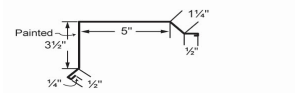

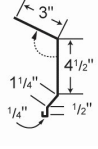
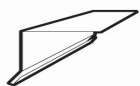
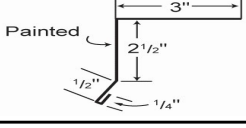
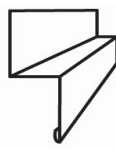
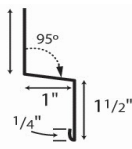
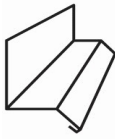
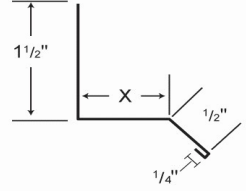
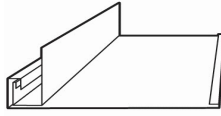
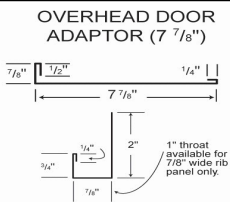
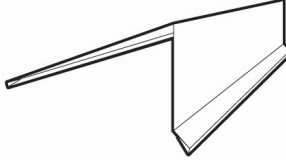
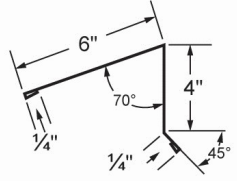
DISCOUNT METAL TRIM CATALOG

<p>RIDGE CAP</p> <p>4/12 Pitch</p>		<p>10'6"</p>
<p>O/S CORNER TRIM</p>		<p>10'6"</p> <p>12'6"</p> <p>14'6"</p> <p>16'0"</p>
<p>"J" CHANNEL</p>		<p>10'6"</p> <p>16'0"</p>
<p>COMBO TRACK COVER</p>		<p>10'6"</p> <p>16'0"</p>
<p>BASE TRIM</p> <p>X = 1"</p>		<p>10'6"</p> <p>16'</p>
<p>"W" FORMED VALLEY</p> <p>X = 9"</p>		<p>10'6"</p>
<p>DOOR POST TRIM</p> <p>X = 3 1/2", 5-1/2" or 7-1/4"</p>		<p>10'6"</p>

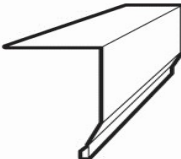
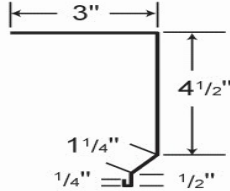
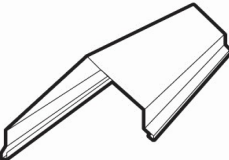
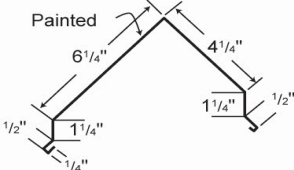

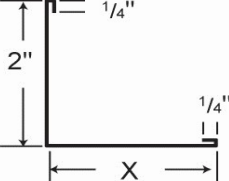
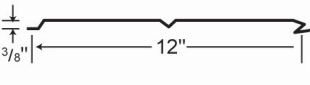
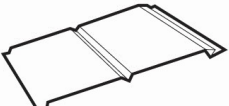
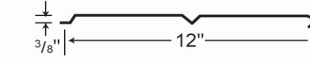
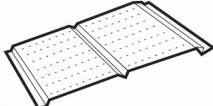
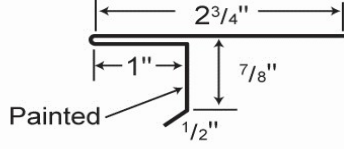
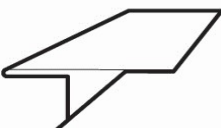
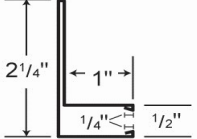
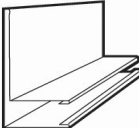
DISCOUNT METAL TRIM CATALOG

<p>UPPER GAMBREL FLASHING</p>	 <p>Specify Angle</p>	 <p>This section notched to match panel configuration (Imperial Rib®, Regal Rib®, Monarch Rib®, Rugged Rib® & Ameri-Drain®)</p>	<p>36"</p>
<p>LOWER GAMBREL FLASHING</p>	 <p>Specify Angle</p>	 <p>This section notched to match Panel configuration (Imperial Rib®, Regal Rib®, Monarch Rib®, Rugged Rib® & Ameri-Drain®)</p>	<p>36"</p>
<p>ENDWALL FLASHING Specify Pitch</p>	 <p>Specify Angle</p>	 <p>Notched to match panel configuration (Imperial Rib®, Regal Rib Monarch Rib®, Rugged Rib and Ameri-Drain®)</p>	<p>36"</p>
<p>DENVER ENDWALL FLASHING</p>	 <p>4:12 Unless otherwise specified</p>	 <p>PAINTED</p>	<p>10'6"</p>
<p>SIDEWALL FLASHING</p>			<p>10'6"</p>
<p>DENVER SIDEWALL FLASHING</p>		 <p>Painted</p>	<p>10'6"</p>
<p>DOOR & EDGE CAP</p>			<p>10'6"</p>
<p>CORNER TRIM 3 X 3</p>		 <p>Painted</p>	<p>10'6"</p>

DISCOUNT METAL TRIM CATALOG

INSIDE CORNER	 	10'6"
DENVER GABLE	 	10'6"
EAVE FLASHING Specify Pitch	 <p align="center">Specify Angle</p> 	10'6"
DENVER EAVE TRIM	 <p align="center">Specify Angle</p> 	10'6"
WAINSCOTE	 <p align="center">95° angle used for drainage</p> 	10'6"
WINDOW DRIP CAP X = 1"	 	10'6"
OVERHEAD DOOR 1 pc.	 <p align="center">OVERHEAD DOOR ADAPTOR (7 7/8")</p> 	10'6"
DENVER PEAK TRIM Specify Pitch	 	10'6"

DISCOUNT METAL TRIM CATALOG

<p>SHINGLE RAKE TRIM</p>			<p align="right">10'6"</p>
<p>RAKE TRIM</p>			<p align="right">10'6"</p>
<p>"L" CHANNEL X = 1"</p>			<p align="right">10'6"</p>
<p>VG. GROOVE SOFFIT 12" Coverage</p>			<p align="right">12'6"</p>
<p>DM 140 ALL COLORS</p>			<p align="right">12'6"</p>
<p>VG. PERFORATED SOFFIT X = 14"</p>	<p align="center">*Perforation voids finish warranties</p>		<p align="right">10'6"</p>
<p>STYLE "D"</p>			<p align="right">10'6"</p>
<p>ALUMINUM "F" CHANNEL</p>		<p>FLAT STOCK - 40-7/8" x 10'6"</p>	<p align="right">10'6"</p>
<p>FLAT STOCK - 20-3/16" x 50'</p>			<p align="right">50'</p>